

Internal Views

Dimensions:-

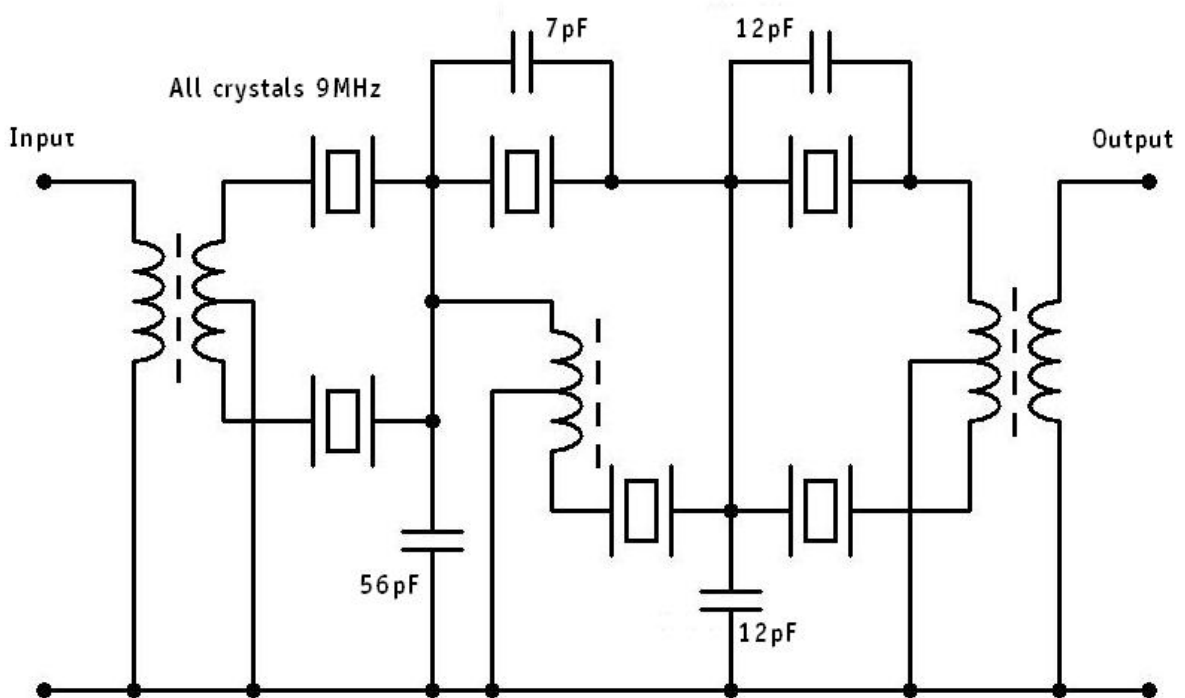
Width - 22mm; Length - 35mm; - height (from PCB) - 20mm

The fixing screws (thread unknown) are 26mm apart and central on the width.

The connection tags are also 26mm apart and 8.5mm from the screws.

The above pictures are with the (normally sealed) case removed.

Circuit.



G-QRP Club 9MHz SSB (2.2kHz) 500 Ohm Crystal Filter