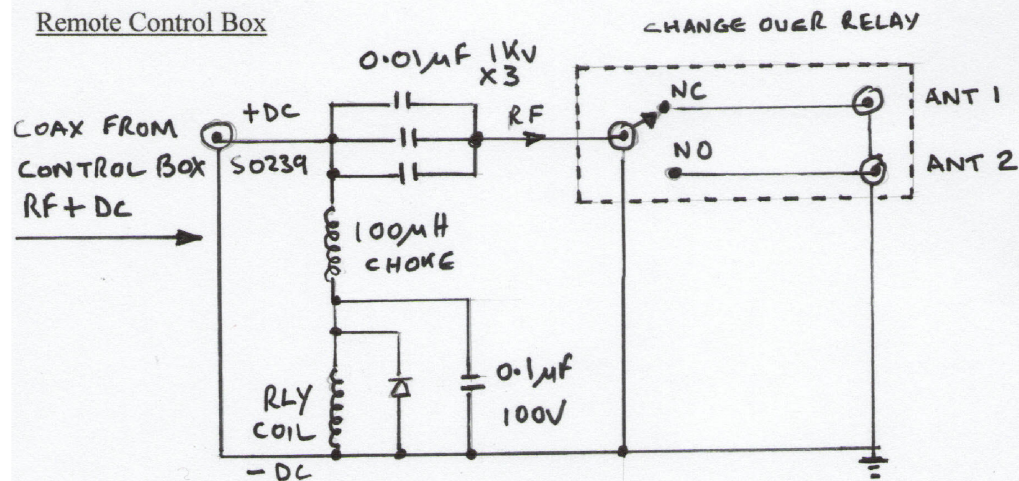
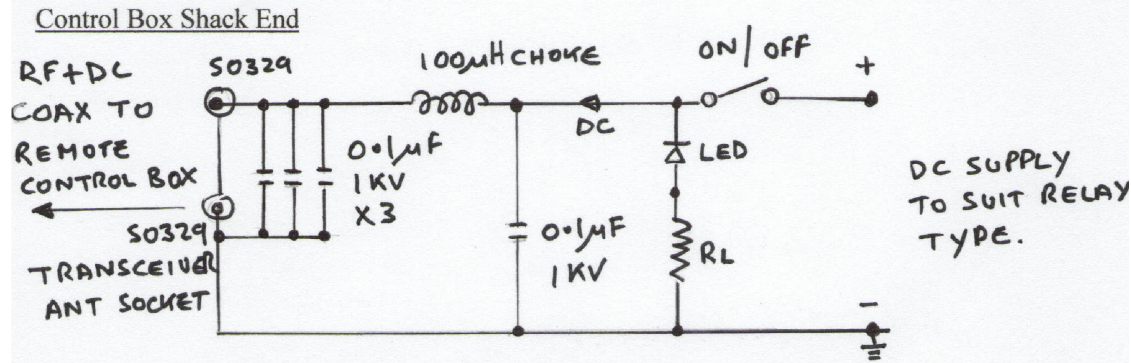


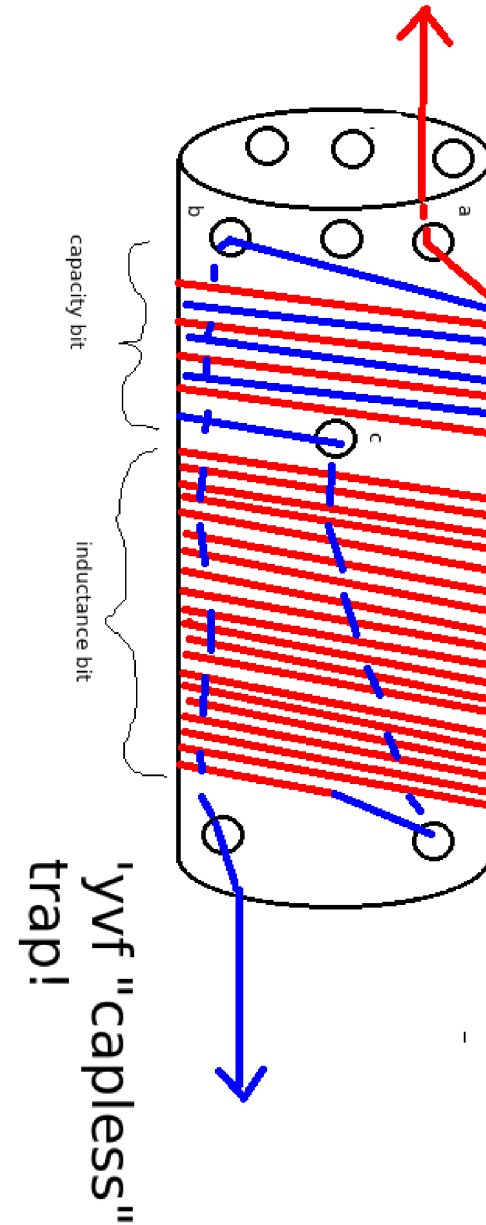
Remote Control Antenna Change Over
Sprat Issue Nr.168

Bill G4KIH, 3806. bill.g4kih@gmail.com



Typical 100uH Chokes

Radio Shack 2730102
Ameritron 409-2150
or various online outlets



Hole C is approx 1/3rd down the former. To trim for freq move wires a and b around the former taking fractions of a turn off at a time raises the resonant frequency of the trap. On a 1" 1/4 former and using approximately 6 red turns the capacity formed is approximately 45pF. All turns are tightly wound along side each other. As a starting point, and guide only, for a 14MHz trap, 1" 1/4 dia use 16 red turns and 4 or 5 blue turns. I use the same wire on the trap as the antenna so long as it is insulated wire!